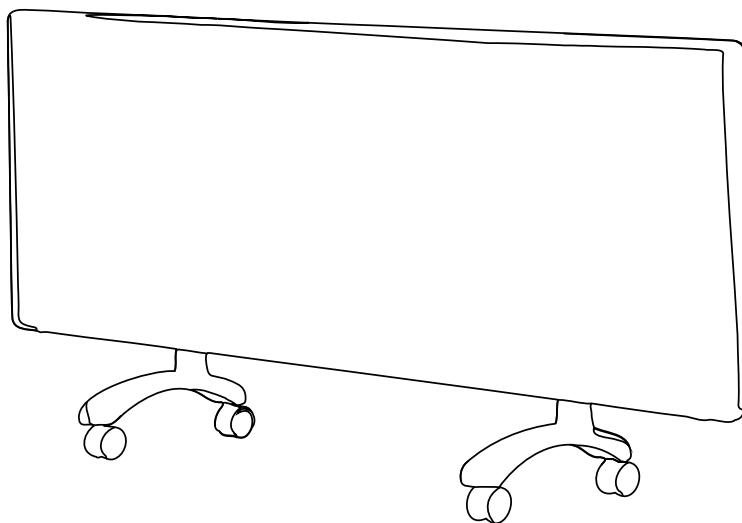




INSTRUCTION MANUAL



Nobo NTL Heater with Thermostat

Models: NTL4S 07 | NTL4S 10 | NTL4S 12
NTL4S 15 | NTL4S 20 | NTL4S 24

For domestic household use only.

300002200 Issue 1



IMPORTANT SAFETY ADVICE

THESE INSTRUCTIONS SHOULD BE READ CAREFULLY AND RETAINED FOR FUTURE REFERENCE. **Note also the information presented on the appliance**

CAUTION: FAILURE TO FOLLOW THESE INSTRUCTIONS MAY CAUSE INJURY AND/OR DAMAGE AND MAY INVALIDATE YOUR WARRANTY

Please read the operating instructions carefully before using your panel heater for the first time and keep them in a safe place.

IMPORTANT SAFETY ADVICE

When using electrical heaters, basic precautions should always be followed to reduce the risk of fire, electrical shock, and injury to persons, including the following:

IMPORTANT – The wall bracket supplied with the heater must be used. The heater is to be installed out of reach from people in the shower or bath. Heaters on feet must not be used in the immediate surroundings of a shower, a bath or a swimming pool.

SUITABLE APPLICATIONS

WARNING - This heater is suitable for normal domestic household purposes and should not be used in any other type of environment. This product should only be used in the country where it was purchased. Products should be purchased from a recognised retailer. Do not use outdoors. Do not install if the product is damaged.

The use of an extension lead or multi-plug adaptor is not advised when connecting this product to the mains. Connection through these devices could lead to risk of overloading, overheating and even fire at the extension lead or adaptor due to inadequate connection quality.

Do not locate the appliance immediately below a fixed socket outlet or connection box.

WARNING - THE SURFACES ON THIS HEATER CAN BE HOT.

The heater carries a warning symbol to alert the user to the risk of fire that exists if the heater is accidentally covered.

CAUTION - Some parts of this product can become very hot and cause burns. Particular attention must be given where children and vulnerable people are present. For your safety this heater has been fitted with a thermal cut-out. In the event that the product overheats for some reason, the cut-out prevents excessive temperatures on the product by cutting the power to the heater. Once the heater has cooled down, it will reset automatically, it will continue to cycle on and off automatically until the reason for overheating is removed.

CHILD SAFETY

This appliance is not intended for use by persons (including children) with reduced physical, sensory or mental capabilities, or lack of experience and knowledge, unless they have been given supervision or instruction concerning use of the appliance by a person responsible for their safety. Children should be supervised to ensure that they do not play with the appliance.

Cleaning and user maintenance shall not be made by children.

If the appliance is damaged, check with the supplier before installation and operation. Do not use this heater if it has been dropped. Do not use if there are visible signs of damage to the heater.

Use this heater on a horizontal and stable surface, or fix it to the wall, as applicable.

SERVICING AND REPAIRS

WARNING - Servicing and product repairs should only be undertaken by the manufacturers approved service agent or a similarly trained or qualified person, using only exact manufacturer approved spare parts.

PLEASE NOTE: Household dust, lit cigarettes, candles and oil burners, combined with the convection effect of electric heaters can cause significant soot deposits to build up on the surface directly above and to the sides of the heater. This is not a fault of the heater. Extensive burning of candles or smoking in the operating environment of this product can produce heavy discolouration within a few months of use.

OPERATING WARNINGS

IMPORTANT: Remember to observe all safety warnings and precautions when operating the heater on the automatic or timer modes, either attended or unattended since a fire risk exists when the heater is accidentally covered or displaced.

CAUTION: Do not use if the heater's main power lead is damaged. If the supply cord is damaged it must be replaced by the installer or an approved Nobo service partner.

DO NOT cover cord with carpeting, throw rugs, runners, or similar coverings. **DO NOT** route cord under furniture or appliances. Take care to position the cord away from walkways or high traffic areas. The cord should be located where it will not cause a tripping hazard.

WARNING: To reduce the risk of fire, keep textiles, curtains, soft or hard furnishings or any other flammable or heat sensitive material a minimum distance of 1m from the air outlet on the top of the heater. Keep combustible materials such as drapes and other furnishings clear from the front, sides and rear of the heater.

WARNING: Do not use this heater in small rooms when they are occupied by persons not capable of leaving the room on their own, unless constant supervision is provided.

WARNING: To avoid danger of suffocation or choking please remove all packaging materials particularly plastic and EPS and keep these away from vulnerable people, children and babies.

OVERHEATING WARNING

WARNING - In order to avoid overheating, do not cover or obstruct the heater. Do not place material or garments on the heater, or obstruct the air circulation around the heater, for instance by curtains or furniture, as this could cause overheating and a fire risk. **NEVER** cover or obstruct the heat outlet slots at the top of the heater or the air inlet slots at the base of the heater in any way.





IMPORTANT SAFETY ADVICE



Exposed to the weather outdoors



Near water



If the power cable wires are frayed or cut



Where small children may be left unattended



If an extension lead may become overloaded



Where the power cable may be damaged



On a slope or uneven surface



Where there is risk of fire or close to a naked flame



Where it may be damaged by chemicals



Where there is a risk of interference by foreign objects









This product is not made for DIY repair



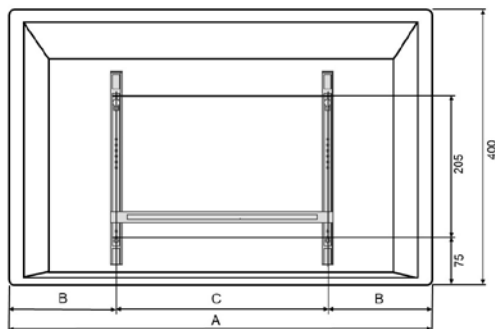
If there is a risk of water falling on the unit

Sizing Options

PRODUCT	CODE	WATTAGE (KW)	DIMENSIONS (MM)	WEIGHT
	NTL4S 07	0.75	625W x 400H x 55D	3.9kg
	NTL4S 10	1	725W x 400H x 55D	4.7kg
	NTL4S 12	1.2	925W x 400H x 55D	5.3kg
	NTL4S 15	1.5	1025W x 400H x 55D	5.8kg
	NTL4S 20	2	1125W x 400H x 55D	7.6kg
	NTL4S 24	2.4	1425W x 400H x 55D	8kg

• For confirmation of your heaters KW output, please always refer to the rating label on the product.

Installation



Watt	A (mm)	B (mm)	C (mm)
750	625	163	300
1000	725	213	300
1250	925	263	400
1500	1025	213	600
2000	1125	263	600
2400	1425	213	1000

WARNING - Minimum clearances and IP zone requirements must be adhered to. Do not locate the heater immediately below a fixed electrical power point.

WARNING: This heater must not be connected to the electricity supply via an external switching device (such as a timer) or circuit that is regularly switched on and off by the utility supplier. Failure to follow this warning could result in the heater's thermal cut-off being inadvertently reset and could create a fire hazard. Cables/flexes that are supplied pre-fitted to the product must **NOT** be extended.

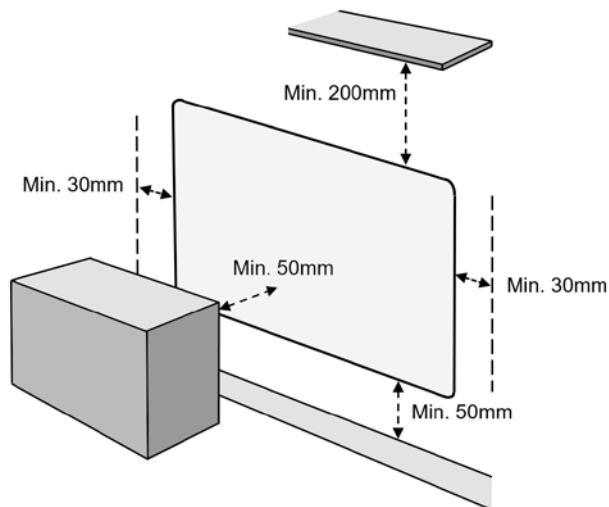
IMPORTANT - The wall bracket supplied with the heater must be used when wall mounting, and the heater must be installed in the correct orientation (not sideways). The fixings should be used to secure the bracket to the particular wall on which the heater will be installed. The heater should be positioned observing the minimum stated clearances around the heater.

When wall mounting, this heater must be mounted on a vertical wall. It also must not be mounted on the ceiling.

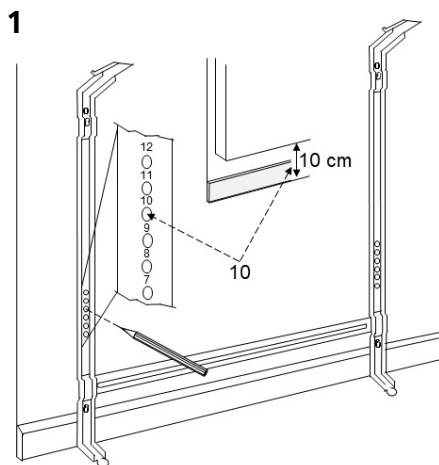
This product is not suitable for use/installation in drying rooms, cupboards, or similar.

Wall Mounted Installation

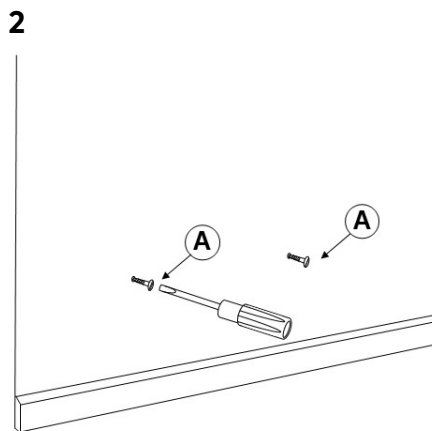
MINIMUM CLEARANCE:



WALL BRACKET INSTALLATION STEPS:

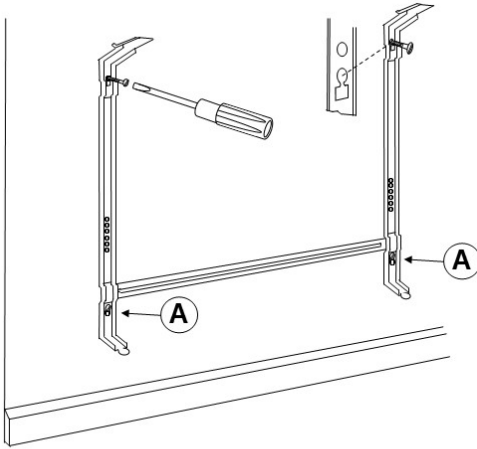


The wall bracket can be used as a measuring device for placing the heater on the wall.



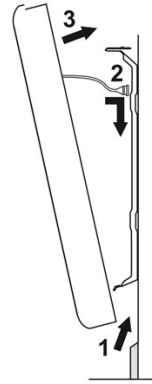
Mark the location for the two bottom screws (A-A) and fasten the two screws in the wall.

3



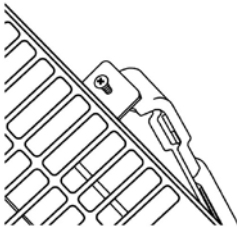
Place the wall bracket onto the bottom screws (A-A). Then fasten the wall bracket with the top screws.

4



Place the heater on the wall bracket (1), secure the tilt strap (2) and click the heater onto the top catches (3).

5

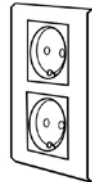


To secure the heater safely to the wall, fasten the screw on each of the two catches at the top of the wall bracket.

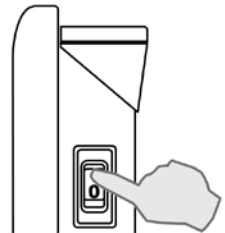
6



Plug the product.



7



Turn on the switch to operate the heater

Note: For heaters intended to be permanently connected to fixed wiring, means for all-pole full disconnection must be incorporated in the fixed wiring in accordance with the National wiring rules.

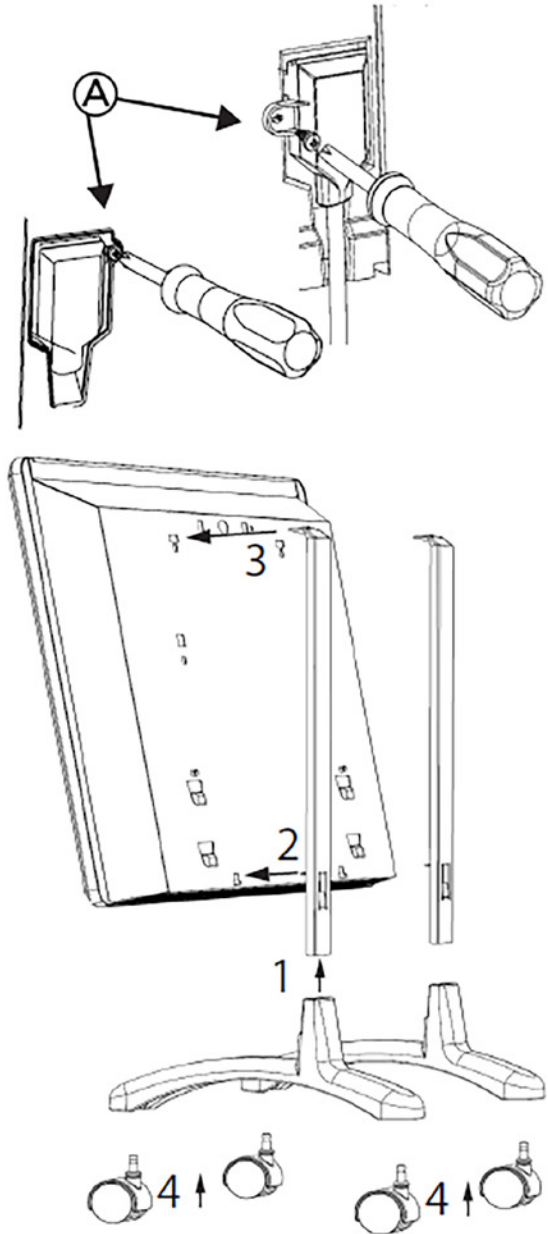
Warning: Electrical installation must only be completed by an authorised electrician. If the power lead is damaged, it must be replaced by the manufacturer's service agent or similarly qualified persons to avoid a hazard.

Portable Installation

CAUTION: Castors/portable installation is only suited for well insulated spaces or occasional use.

A: Ensure the enclosed screw (M3.5x10) is in place on the power supply as shown.

1. Assemble foot onto the frame hole.
2. Align the product with reference to slots provided on frame.
3. Click into place.
4. Fix/press castor wheels into the feet.



Operation

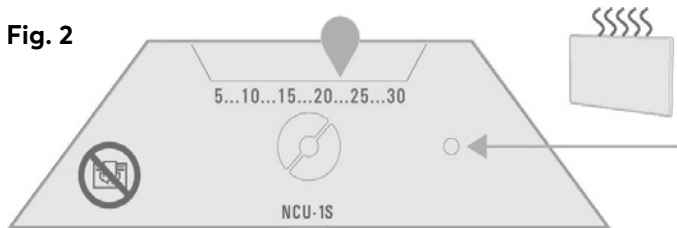
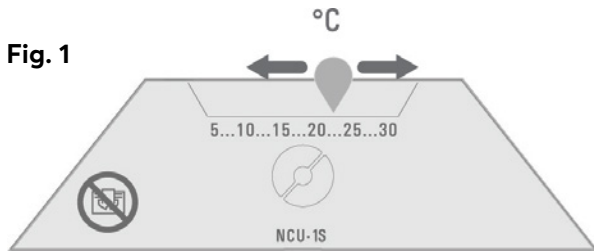
TURN THE UNIT ON:

- Press the On/Off switch to the 'I' position to turn ON.
- Press the switch to the 'O' position to turn the unit OFF.



SET THE TEMPERATURE:

1. Slide the toggle to the desired temperature - see Fig. 1
2. The yellow indicator light will illuminate - see Fig. 2



Cleaning & Storage

Over time, dust can accumulate on the heater which can effect performance. It is recommended to clean the unit at least once a month.

1. Turn the unit **OFF** and disconnect the appliance from the power supply.
2. Remove any dust build up with a soft brush.
3. Wipe the surface of the unit with a soft damp cloth. Mild detergent can be used for any stubborn marks.

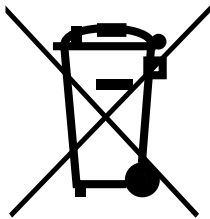
IMPORTANT: The control panel and other parts must not come into contact with water or any other liquids.

STORAGE: If not using the unit for an extended period of time. After cleaning please:

- Turn the unit off, unplug and take care of the mains lead & plug.
- Cover the unit and store it upright in a location where it will not receive direct sunlight. NB- Prolonged exposure to direct sunlight will discolour the enclosure.

Maintenance

If the unit fails to operate efficiently, is broken or other problems arise, unplug and do not operate. Ask for advice by calling your local after sales service agent or the Customer Care Centre on 1300 556 816 (AU) / 0800 666 2824 (NZ).



Recycling: Do not dispose of electrical appliances as unsorted municipal waste. Use separate collection facilities. Contact your local government for information regarding the collection systems available. If electrical appliances are disposed of in landfills or dumps, hazardous substances can leak into the ground water, polluting the food chain and damaging health and well-being.



NOBO

Customer Care: 1300 556 816
customer.care@glendimplex.com.au
www.nobo.com.au

Supplied by Glen Dimplex Australia
8 Lakeview Drive, Scoresby, Victoria, 3179

©Nobo Australia. All rights reserved. Material contained in this publication may not be reproduced in whole or in part, without prior permission in writing of Nobo Australia.